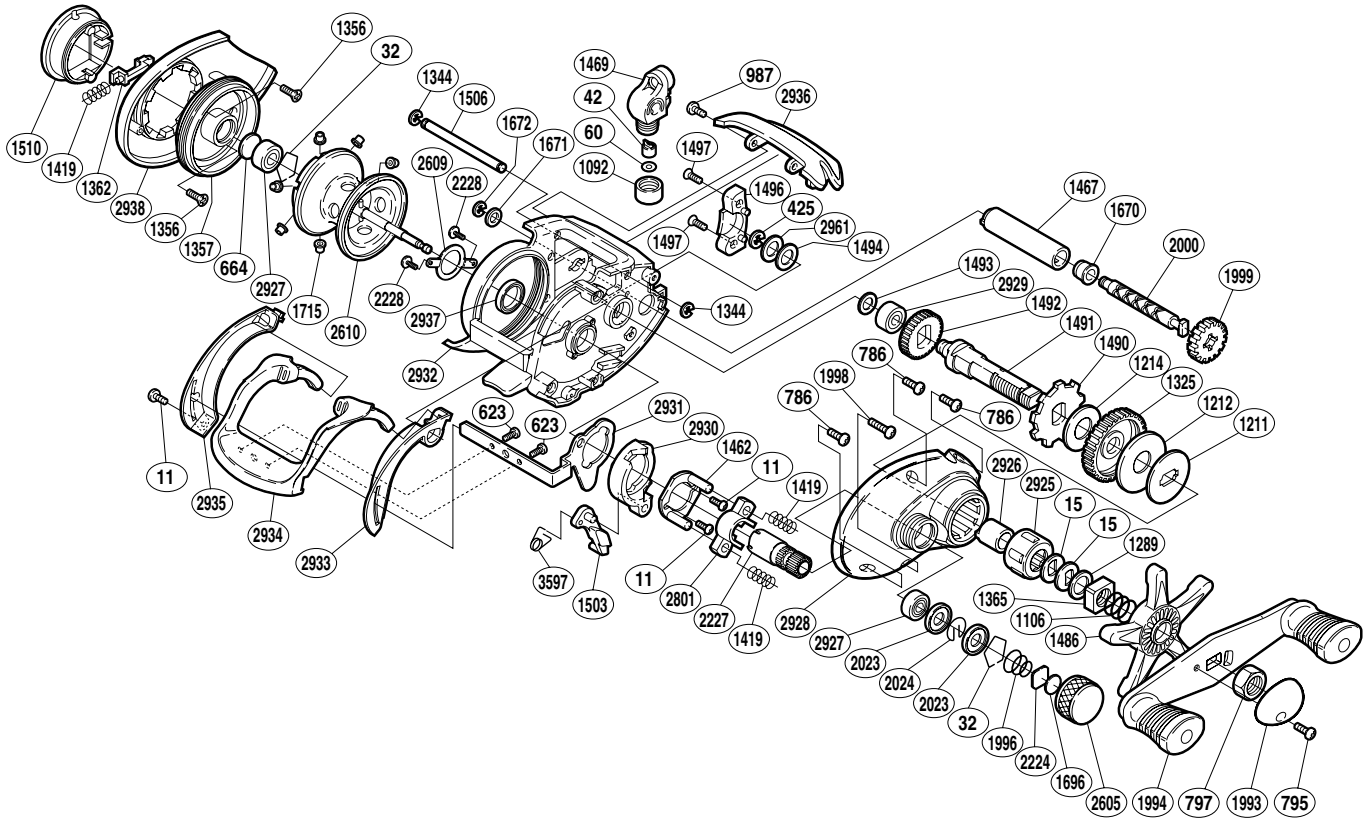


SHIMANO®

Castaic A-RB

CA-200SF



Part No.	Description	Part No.	Description	Part No.	Description
BNT0011	Multi-Purpose Screw	BNT1462	Clutch Cam Retainer	BNT2023	Spool Shaft Clip Holer
BNT0015	Drag Spring Washer	BNT1467	Level Wind Guard	BNT2024	Spool Shaft Clip
BNT0032	Bearing Retainer	BNT1469	Line Guide	BNT2224	Spool Tension Spacer (A)
BNT0042	Line Guide Pawl	BNT1486	Star Drag	BNT2227	Pinion Gear
BNT0060	Spacer (optional)	BNT1490	Anti-Reverse Ratchet	BNT2228	Bearing Retainer Screw
BNT0425	"E" Lock	BNT1491	Drive Shaft	BNT2605	Cast Control Cap
BNT0623	Clutch Bar Screw	BNT1492	Idle Gear (A)	BNT2609	Bearing Retainer
BNT0664	Spacer (B)	BNT1493	Drive Gear Washer	BNT2610	Spool Assembly
BNT0786	Side Plate Screw (short)	BNT1494	Drive Shaft Washer (B)	BNT2801	Yoke
BNT0795	Handle Nut Plate Screw	BNT1496	Drive Shaft Cover	BNT2925	Roller Clutch Bearing
BNT0797	Handle Nut	BNT1497	Drive Shaft Cover Screw	BNT2926	Roller Clutch Inner Tube
BNT0987	Thumb Rest Screw	BNT1503	Clutch Pawl	BNT2927	Ball Bearing
BNT1092	Pawl Cap	BNT1506	Line Guard	BNT2928	Right Side Plate
BNT1106	Star Drag Spring	BNT1510	Turnkey Dial	BNT2929	Ball Bearing
BNT1211	Key Washer	BNT1670	Worm Bushing	BNT2930	Clutch Cam
BNT1212	Drag Washer (C)	BNT1671	Worm Shaft Washer (B)	BNT2931	Clutch Plate
BNT1214	Drag Washer (A)	BNT1672	"E" Lock	BNT2932	One-Piece Frame
BNT1289	Star Drag Spacer	BNT1696	Cast Control Spacer (B)	BNT2933	Clutch Bar Guide (A)
BNT1325	Drive Gear	BNT1715	Brake Collar (red)	BNT2934	Quick-Fire II Clutch Bar
BNT1344	"C" Lock	BNT1993	Handle Nut Plate Assembly	BNT2935	Clutch Bar Guide (B)
BNT1356	Brake Case Retainer Screw	BNT1994	Handle Assembly	BNT2936	Thumb Rest
BNT1357	Brake Case	BNT1996	Spool Tension Spring	BNT2937	Ball Bearing
BNT1362	Turnkey Pawl	BNT1998	Side Plate Screw (long)	BNT2938	Left Side Plate
BNT1365	Star Drag Nut	BNT1999	Idle Gear (C)	BNT2961	Drive Shaft Washer
BNT1419	Yoke / Turnkey Pawl Spring	BNT2000	Worm Shaft	BNT3597	Clutch Pawl Spring